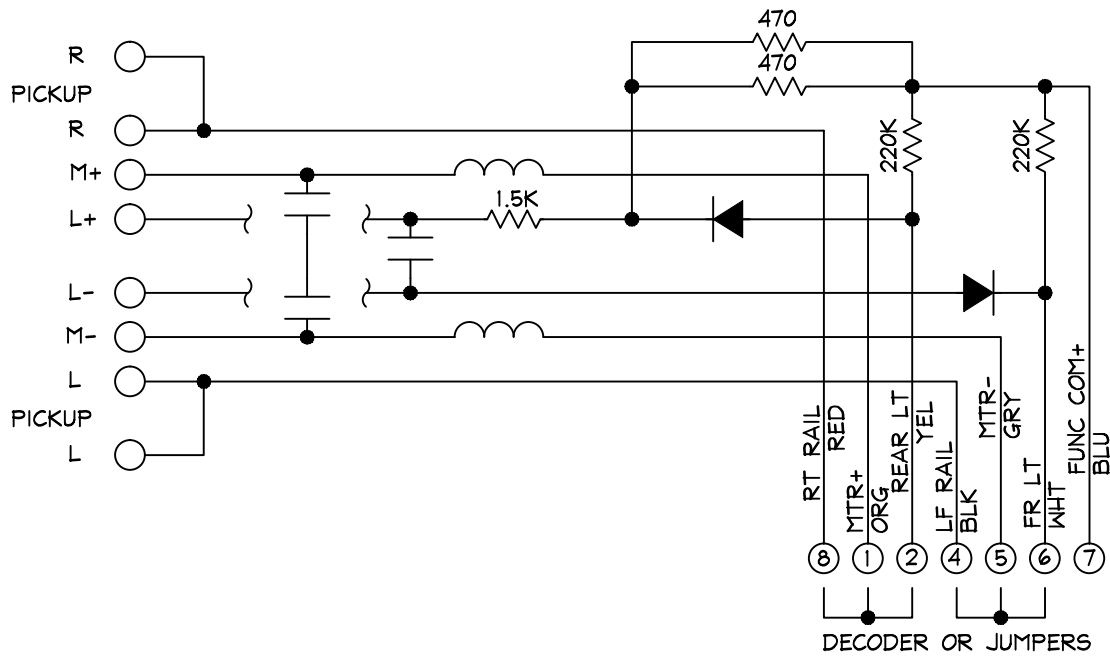


02/12/15 9:34:05 AM C:\USERS\JIM\APPDATA\LOCAL\TEMP\ACPUBLISH_5220\BACH 44T BOARD.DWG



N895X# PCB01
 REV-A
 07/12/31

Redrawn from online posting	SCALE:N/A	PROJECT:STEAM LIGHT BOARD	TITLE:BACHMANN TENDER PCB01
	DRAWN:JIM X	LOC:NAMPA, ID	DRG:N895X#PCB01-SMD
	DATE:2/11/15	JOB NO:DCC	Bach 44t board.dwg
			REVISION 0